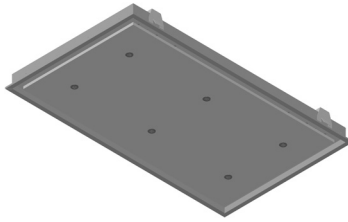


Installation instruction

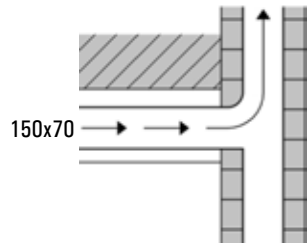
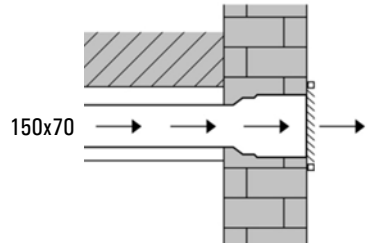
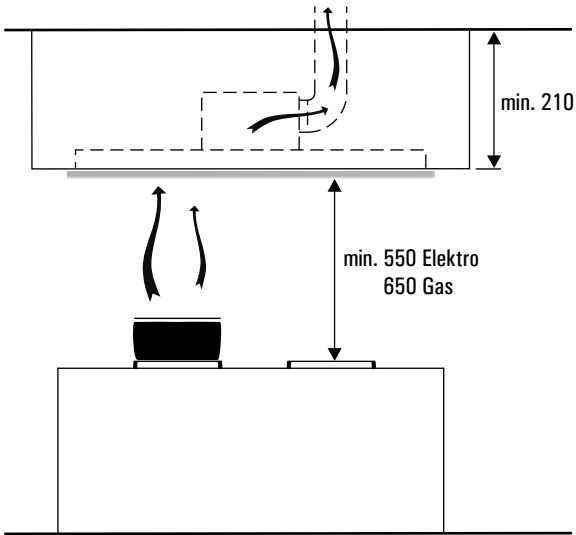
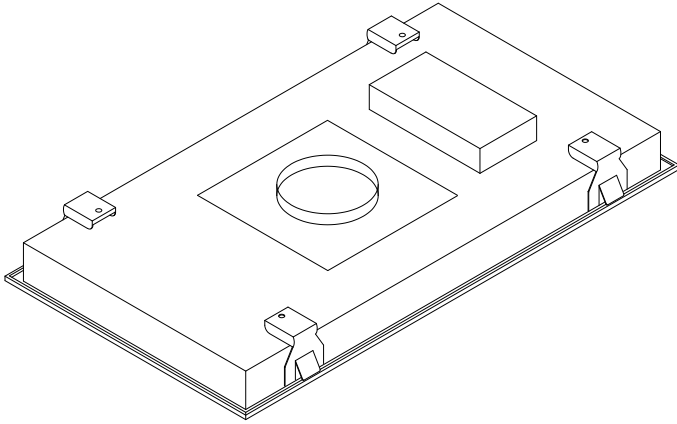


ANZI/CAPORRA/TOLVI EXTERNAL INSTALLTION GUIDE

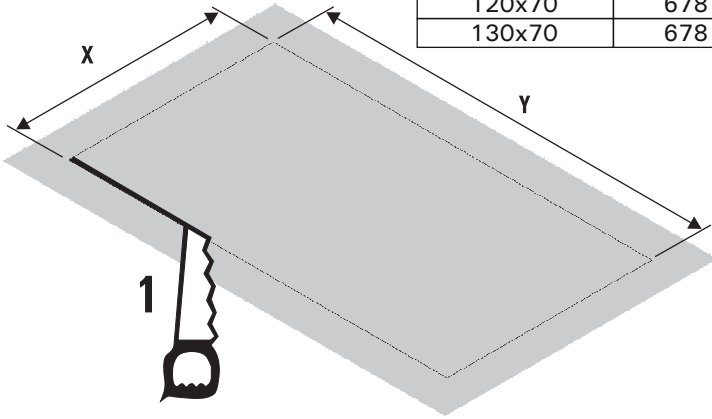


LUXAIR
EXTRACTION WITH ATTRACTION

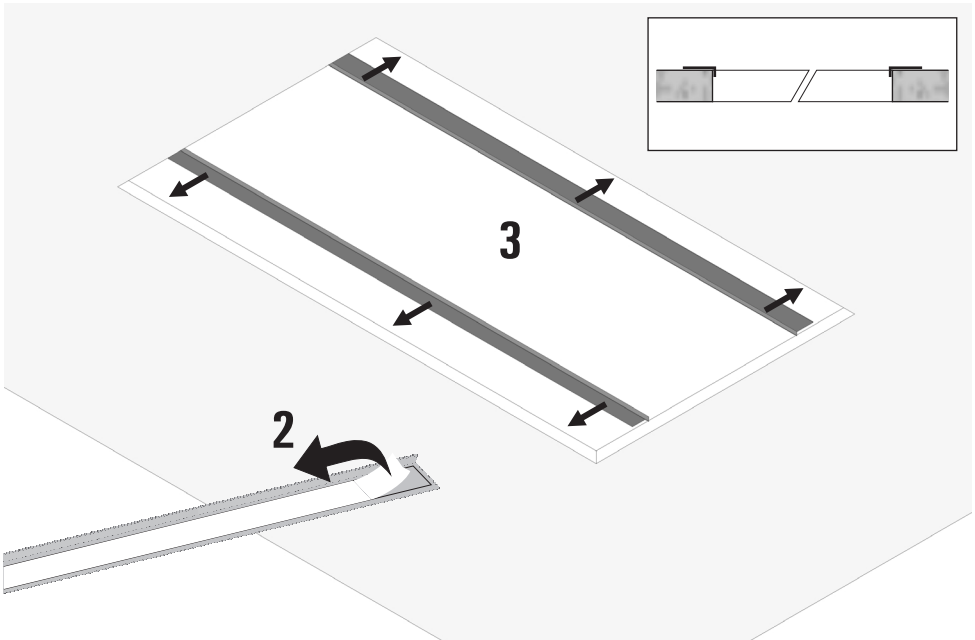
WARNING! The hood is equipped with standard fixing material. The person who is mounting the hood should make sure that the fixing elements are right and suitable for the walls and ceilings he finds. The manufacturer declines any responsibility for damages caused by incorrect mounting.



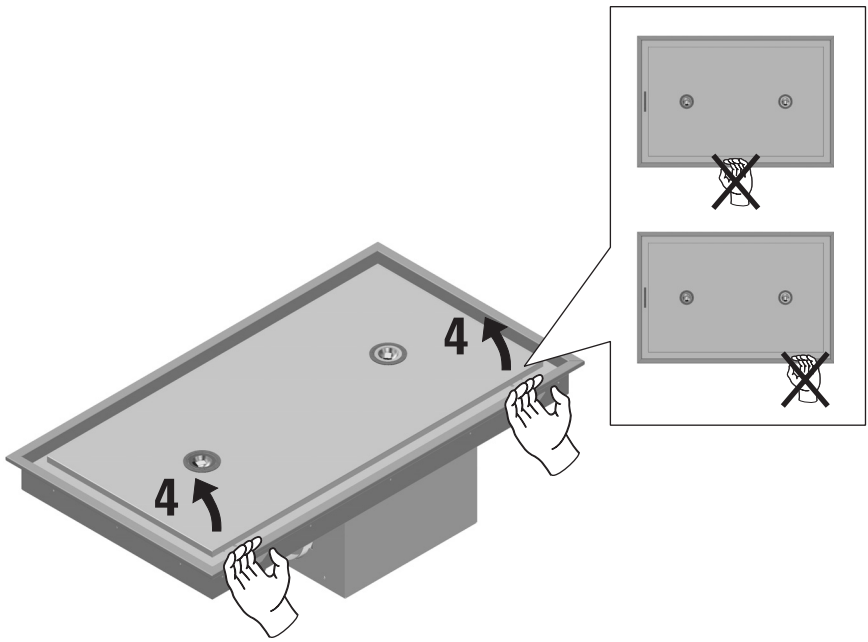
Type/Model Size	X	Y
Ø 82	560	560
60x60	578	570
90x50	478	870
90x60	578	870
120x50	478	1170
120x60	578	1170
120x70	678	1170
130x70	678	1270



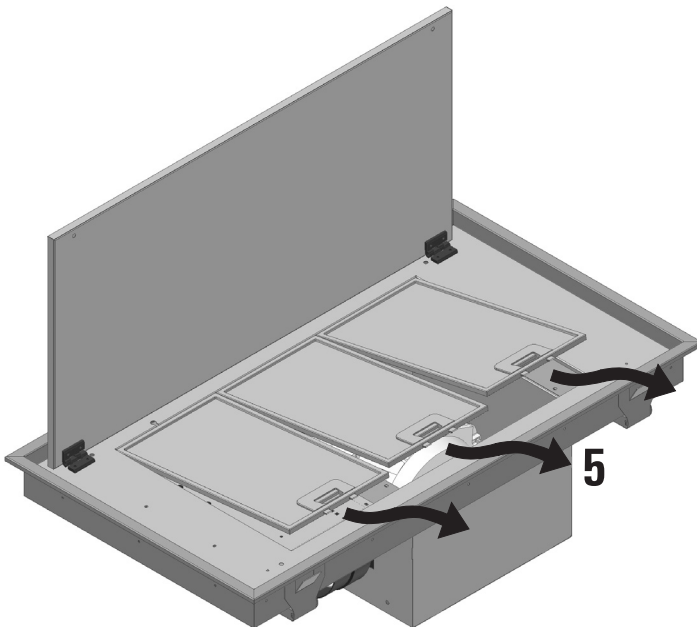
M 2



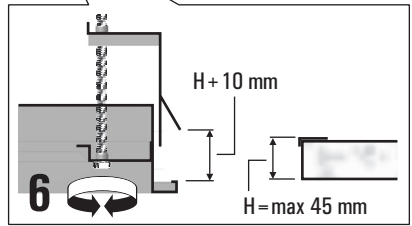
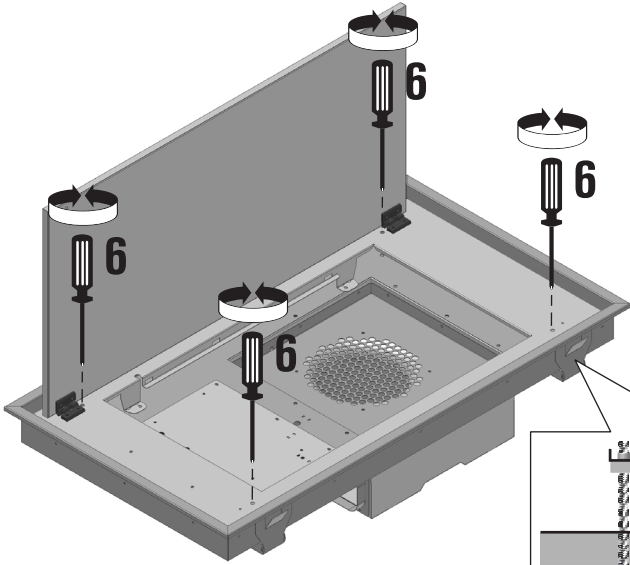
M 3



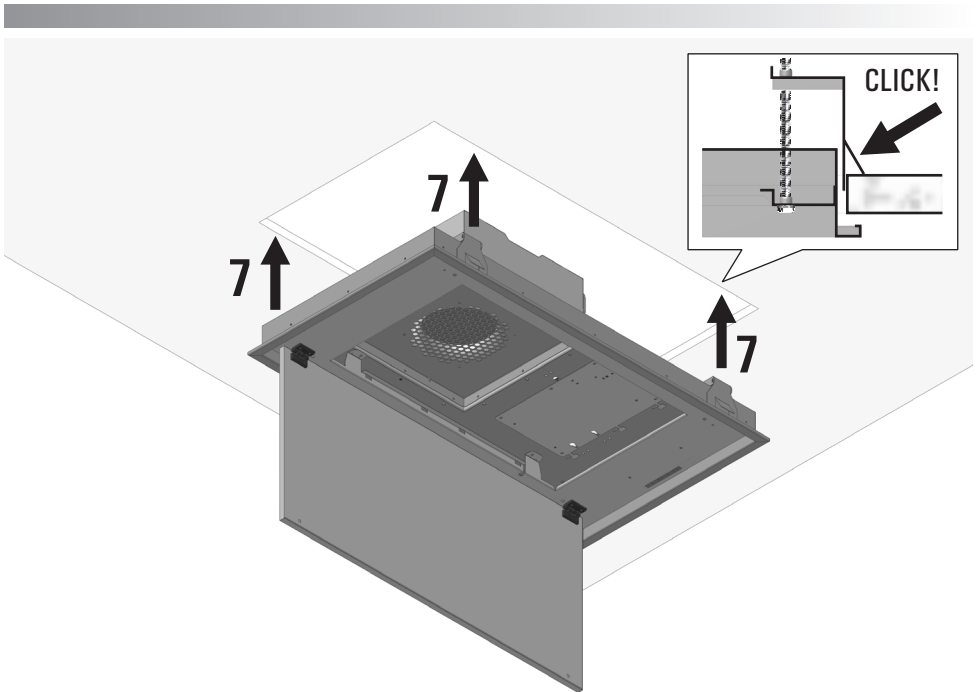
M 4



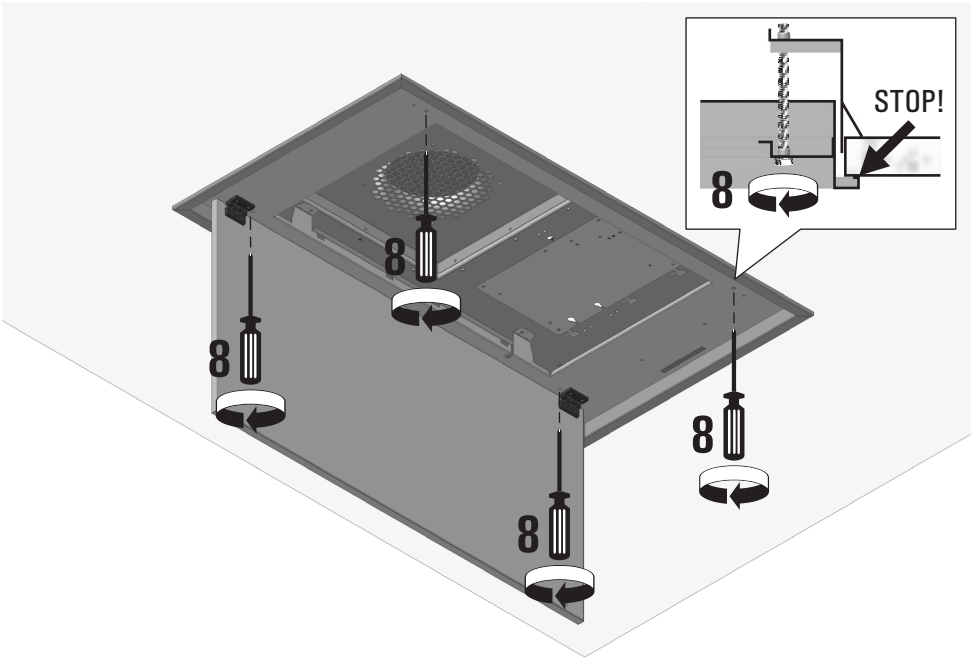
M 5



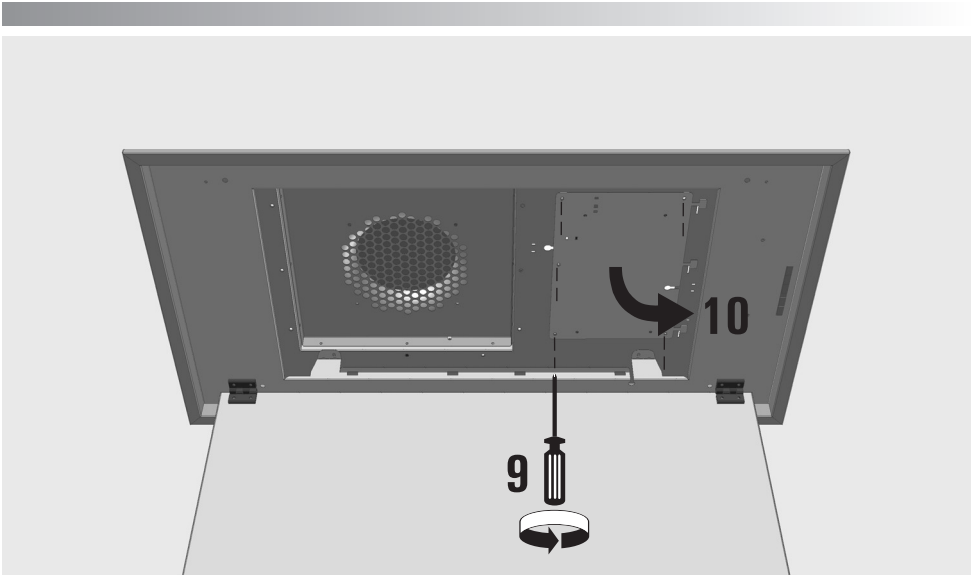
M 6



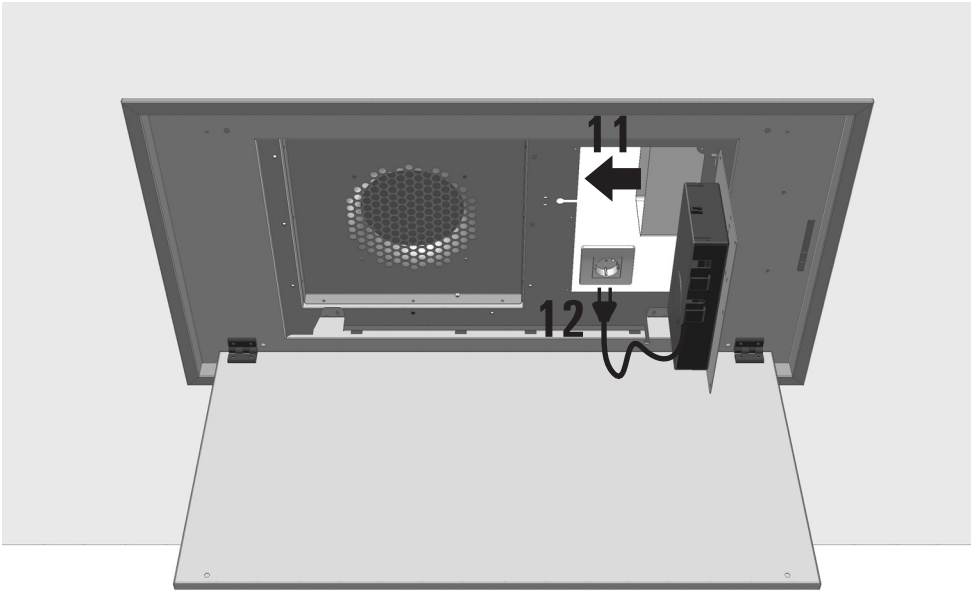
M 7



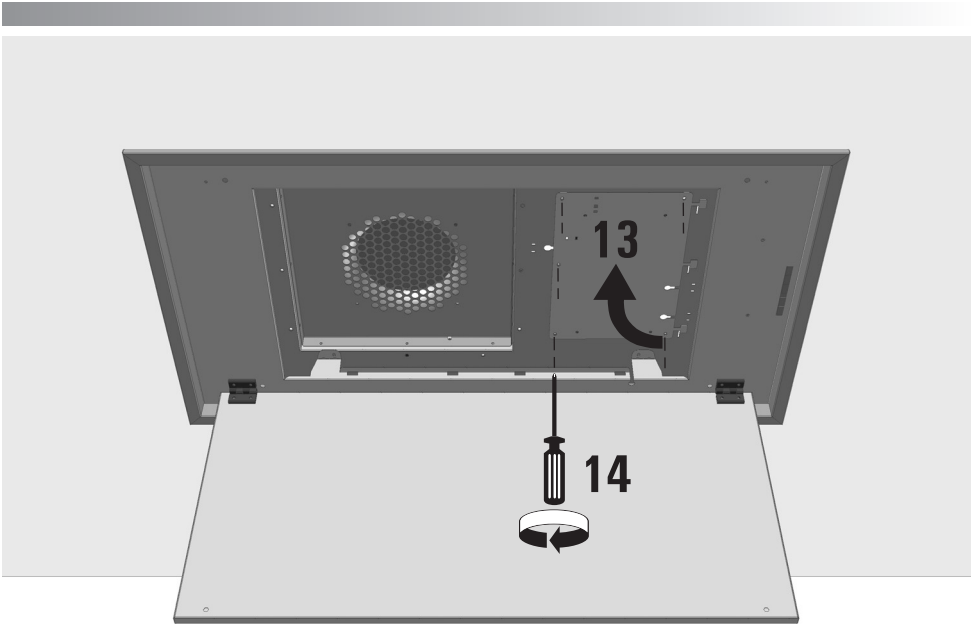
M 8



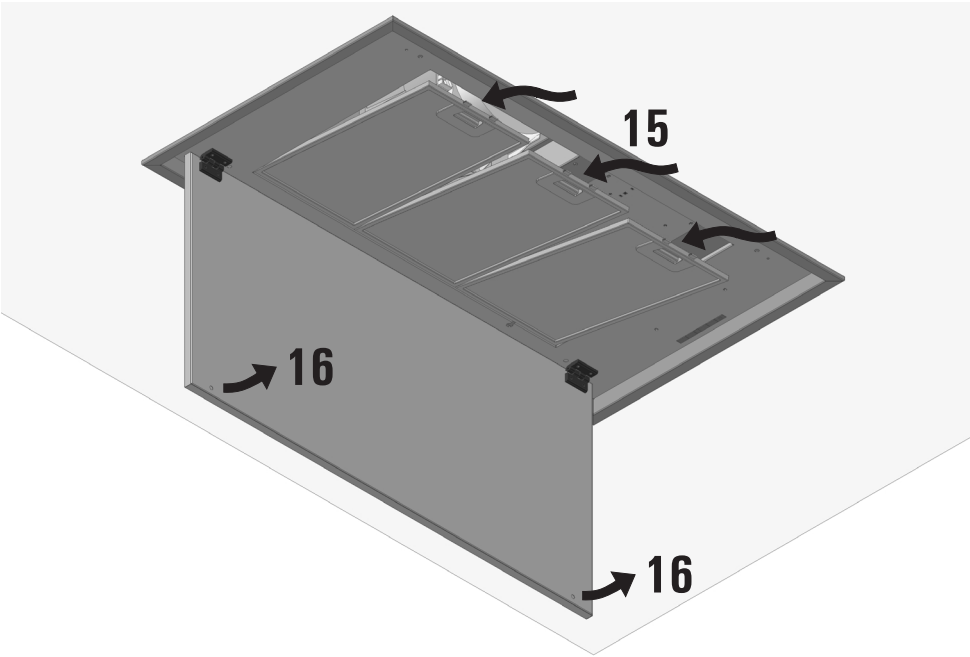
M 9



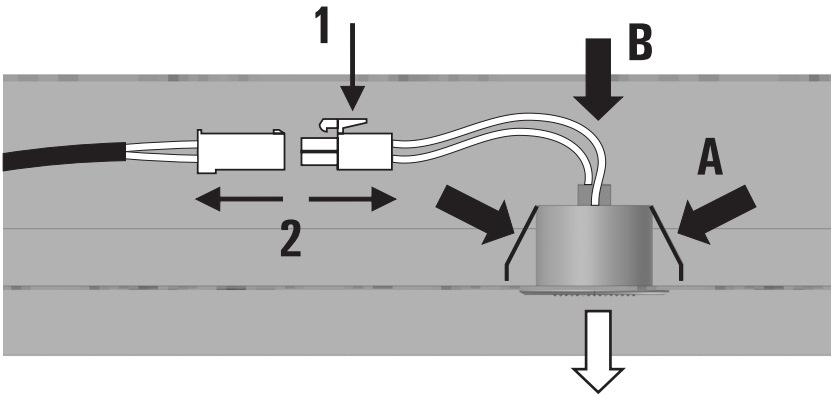
M 10



M 11



M 12



L1