



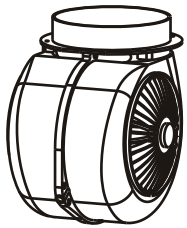
LUXAIRTM
EXTRACTION WITH ATTRACTION

LA-TURBO



Reducer Collar reduces the motor exhaust from 150mm to 125mm if required (Already supplied in box)

Please note this hood must be installed on a minimum of 125mm Ducting



Spare Motor 1200 m³/hr

Mesh Grills (current Models)

LA-TURBO x2 298x260

Please note you must measure your mesh grill size. Older models possibly have different sizes to current models

2x Charcoal Filter 2

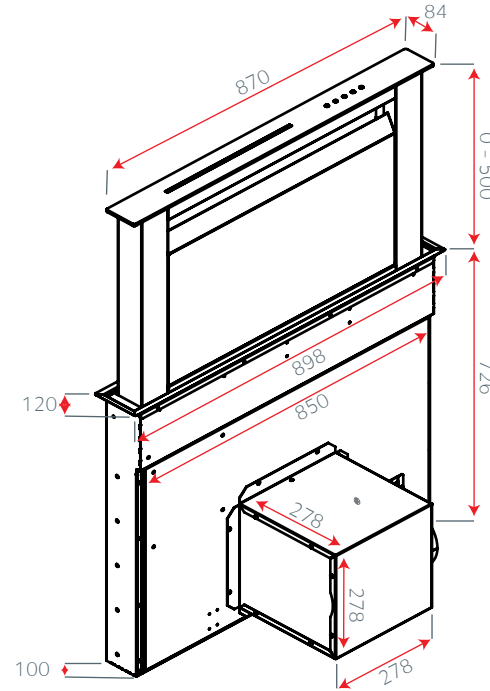
Please note this filter fits directly behind the black glass and grease filters

Replacement Switch-
Touch Sensitive

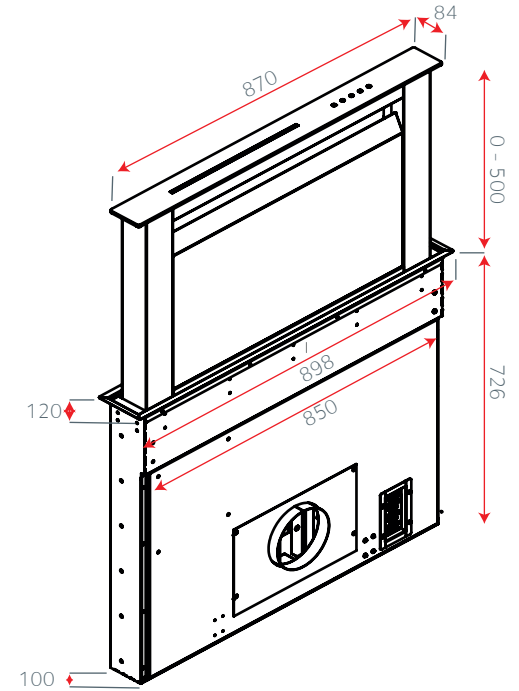
Please contact Luxair for further information

LED Driver
Please contact Luxair for more information

- 6x 3w LED Spot Fittings
+ 1x 6w LED Decorative Strip



Motor Attached



Motor Detached

